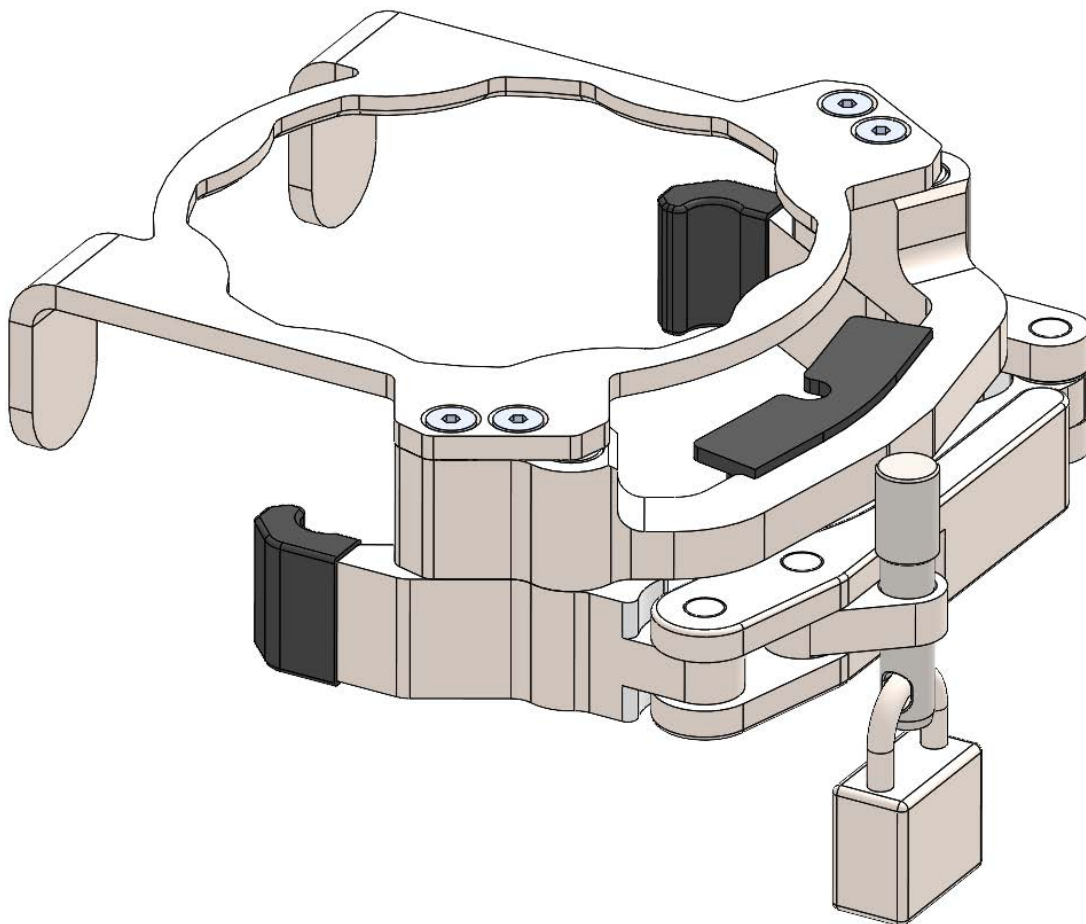


LOCKING DEVICE

COMPACT QUALITY

Our Locking Device is designed to ensure complete mechanical shutdown during maintenance or repair work. The locking device prevents rotation by blocking the rotor.

ELTORQUE offers a high level of precision in the control of valves. Excellent controlling possibilities, low cost of installation and operation, and no need of maintenance make ELTORQUE the future solution.

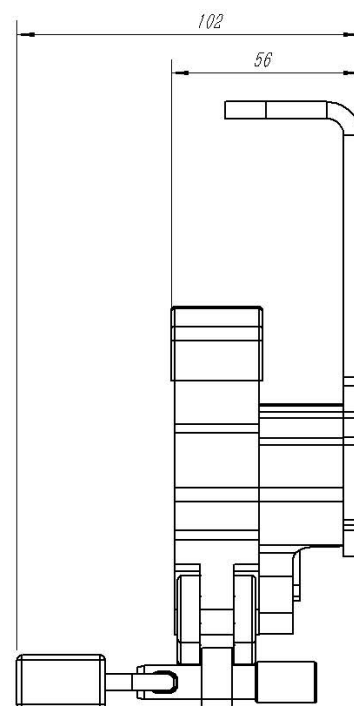
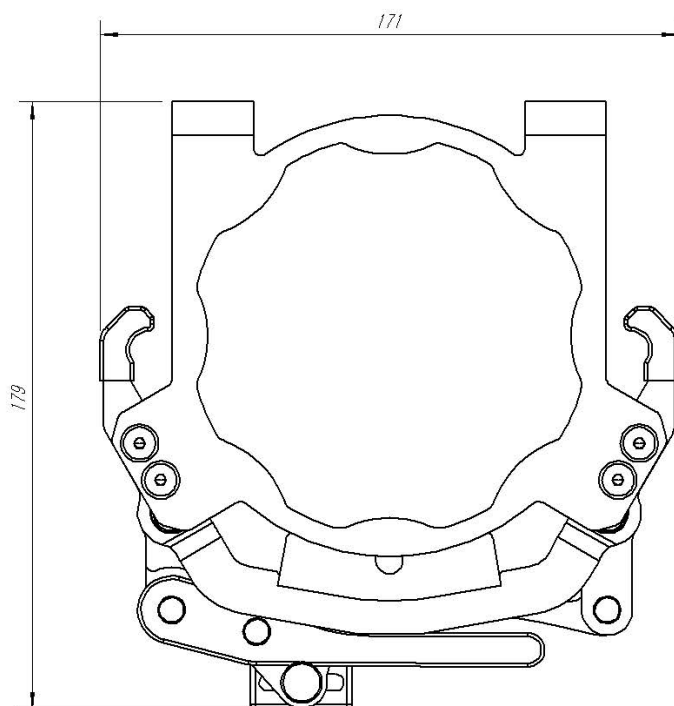


LOCKING DEVICE 2.0

MAIN PARAMETERS:

Locking Device	
Applicable product model	QT 70, QT250, QT400, QT800, QT1000
Dimensions	171*179*102 (unit: mm)
Weight	1.6 Kg
Material	SUS30 (Screws & Lock) / SUS316 (Other connecting fittings) / FKM rubber / Silicone rubber
Number of keys	4

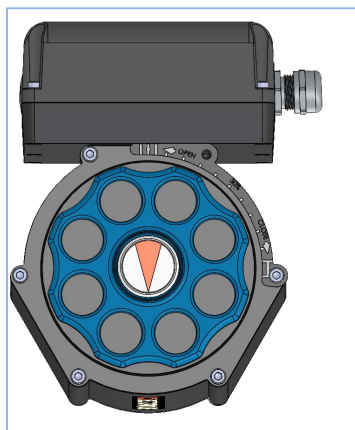
Dimensions:



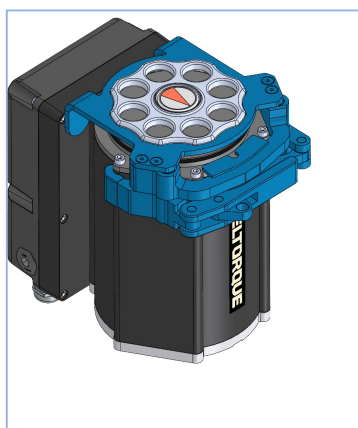
LOCKING DEVICE 2.0 INSTALLATION PROCEDURE:



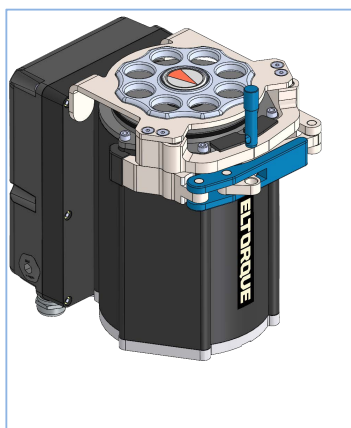
1. Remove the protective cover



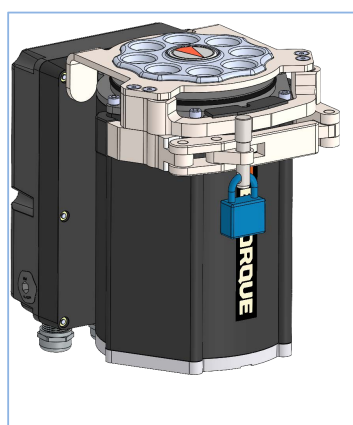
2. Adjust the hand wheel position



3. Install the locking device



4. Press the handle and insert the pin



5. Install Padlock