

EPS-N/A PRODUCT DATA

Top Mounting Pressure Sensor

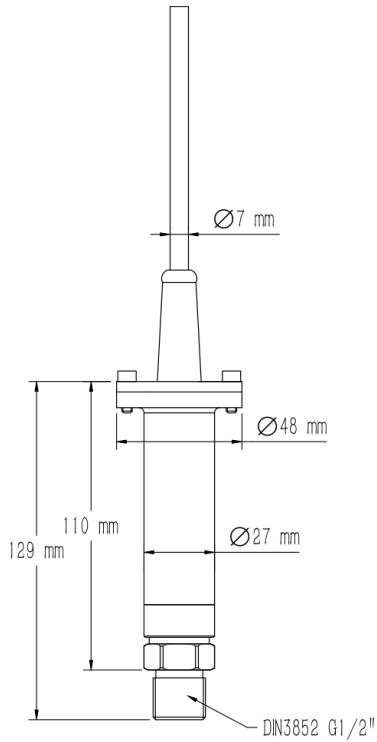


Technical Data

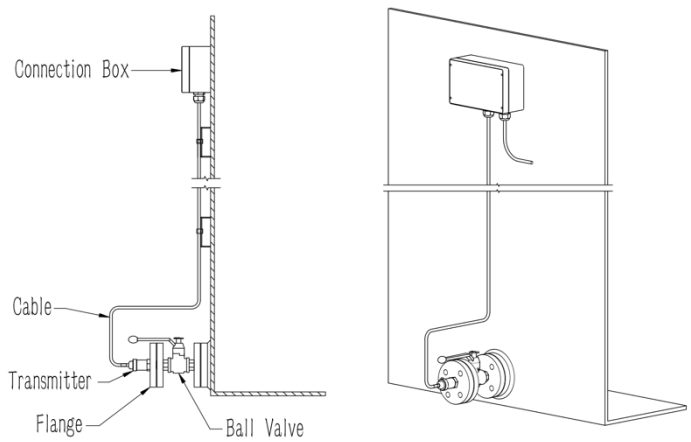
Measuring range	-1~4bar , 0~1bar , 0~1.5bar , 0~2.5bar , 0~4bar , 0~6bar , 0~10bar others on request
Power supply	24V DC±10%
Output signal	4~20mA DC, 2 wires
Application area	fresh water, sea water, heavy oil, etc.
Accuracy	±0.1% , ±0.25% , ±0.5% at 35°C
Operating ambient temperature	-25°C to 85°C
Temperature drift	±3.0% FS
Long term stability	±0.25% FS/YEAR
Protection class	IP68 (30m / 100h)
Housing material	Stainless steel 316L
Diaphragm	Stainless steel 316L
Material	TPU (others on request)
Cable length	20m in standard (others on request)
Explosion proof	Ex ia IIC T4 Ga
Certificates	DNV / CCS / MED / IECEx

PRODUCT DATA

Dimension



Process Connection



Electrical Connection

