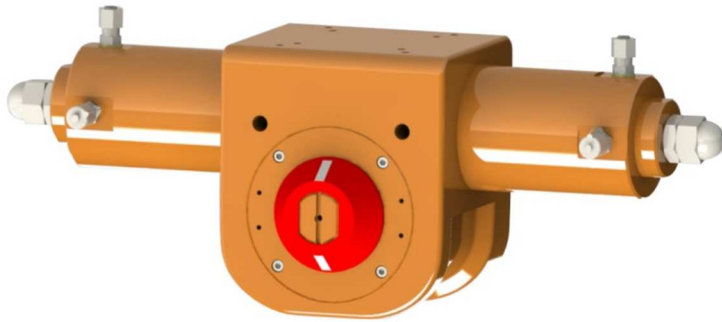


Eltorque HDQ700

Hydraulic double acting actuator (Quarter-turn)

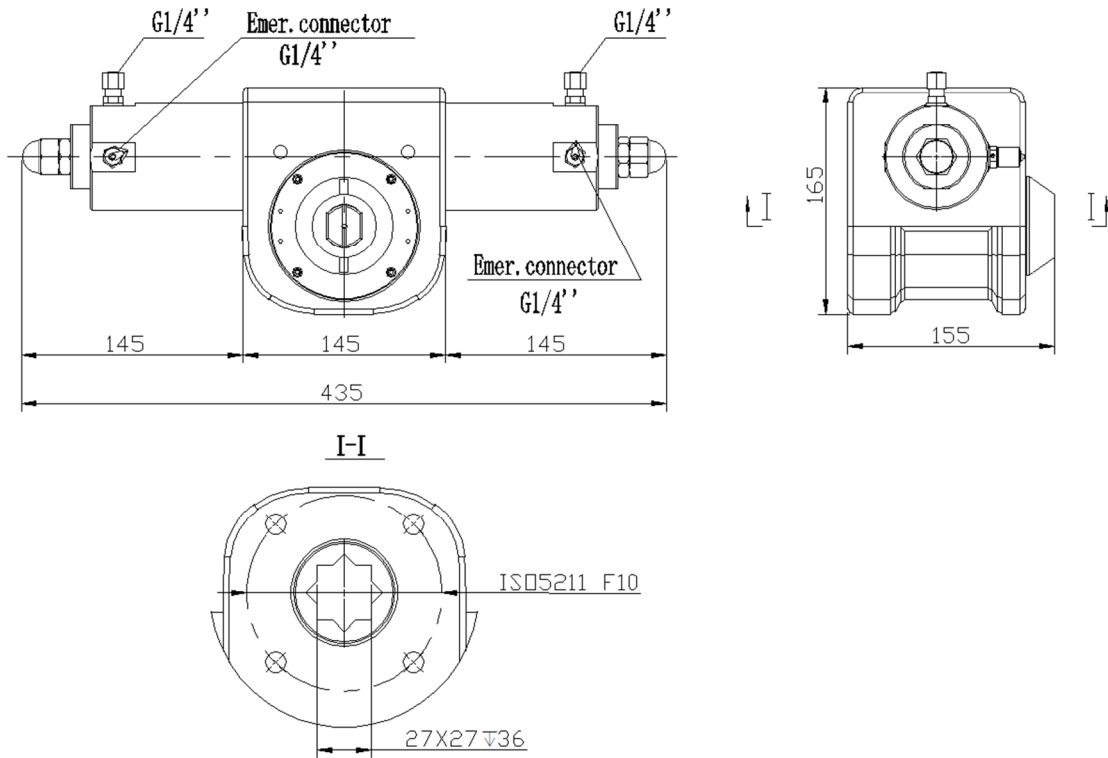


Main Data

| HDQ700 | |
|---|---|
| Valve applications | Butterfly and ball valve (Quarter-turn valve) |
| PHYSICAL PROPERTIES | |
| Design | Simple piston rack and pinion design |
| Dry weight | 27kg |
| Oil connection | BSP1/4"- $\Phi 8/\Phi 10/\Phi 12$ |
| Mounting flange | According to ISO5211 standard |
| Application | Dry area or submerged area |
| OPERATING CONDITIONS | |
| Recommended working pressure range | 70-160 bar |
| Oil displacement | 0.11L |
| Operating temperature | Standard: -30°C-- +60°C |
| Travel adjustment | 90° \pm 5° |
| Hydraulic oil | Viscosity range: 15 - 64 cSt. |
| Indication | Open/close on shaft |
| Closing direction | Clockwise |
| MOUNTING AND OPERATING STANDARD | |
| <p>Bottom mounting connection is designed in accordance with ISO5211 standard for direct mounting with valve gear boxes or mounting bracket, outgoing shaft of actuator can be adjusted according to stem of valve.</p> | |

Main Dimensions

Actuator shown in closed position.



Performance

